

Athletic

HOME USE

SKU: 04213

**SPINNING BIKE
ADVANCED 200BS**
USER MANUAL



It is with great pleasure that we offer you the opportunity, guidance and encouragement to practice aerobic and muscular exercises, getting like this, the physical preparation needed to feel good.

We guarantee a reliable and modern product, produced with high technology for people who care about their well-being.

This manual covers the main information, the basic structure and the main operation and preventive maintenance. It will help you familiarize yourself with all the equipment functions, for you enjoy it for a long time.

Es con gran placer que le ofrecemos, orientación, estímulo y oportunidad de practicar ejercicio aeróbico y muscular, ganando la preparación física necesaria para sentirse bien.

Nosotros garantizamos un producto confiable y moderno, producido con alta tecnología por personas que se preocupan por su bienestar.

Este manual cubre los datos clave, la estructura básica y principales procedimientos de operación y mantenimiento preventivo. Te ayudará a familiarizarse con todas las funciones del equipo para asegurar que usted disfrute de su producto por mucho tiempo.



ATTENTION / ATENCIÓN

Carefully read the safety and usage guidelines contained herein. Follow the guidelines for correct assembly of the product.

Caution: Do not push any objects into the openings of the product. Stay clear of moving parts.

Safety and security: it is the owner's responsibility to ensure that all users are properly informed about safety precautions, use, maintenance and care of the product.

Lea cuidadosamente las instrucciones de seguridad y uso contenidas en el presente documento. Siga las instrucciones para el correcto montaje del producto.

Precaución: No introduzca ningún objeto en las aberturas del producto. Manténgase alejado de las piezas móviles.

Protección y seguridad: es responsabilidad del propietario asegurarse de que todos los usuarios estén bien informados sobre las precauciones de seguridad, uso, mantenimiento y cuidado del producto.



Inappropriate use for children and animals.

El uso inapropiado para los niños y los animales.



**MAX
120kg
265lbs**

CONTENTS

SUMARIO

english

SAFETY INFORMATION	5
COMPONENTS AND TECHNICAL SPECIFICATIONS	6
ASSEMBLY	7
MONITOR	10
ADJUSTMENTS	11
PREVENTIVE MAINTENANCE	12
WARRANTY	13

español

INFORMACIÓN DE SEGURIDAD	14
COMPONENTES Y ESPECIFICACIONES TÉCNICAS	15
MONTAJE	16
MONITOR	19
AJUSTES	20
MANTENIMIENTO PREVENTIVO	21
GARANTÍA	22



SAFETY INFORMATION

Please read this manual before using the product and retain it for future reference to avoid the risk of heating, fire, electric shock, or injury.

It is the owner's responsibility to ensure that all users of the equipment are adequately informed of the safety precautions.

If the equipment is not in perfect condition, call a technical assistant.

General Considerations

- Place the elliptical on a flat surface at least 30cm away from any wall, keeping the lower part free from any obstacles.
- Never allow more than one person to use the elliptical at the same time.
- Consult your doctor before starting and during any exercise program. Special attention should be given to children, pregnant women, the elderly, people with heart problems and people with disabilities.
- The values indicated on the monitor are reference points, they cannot be considered with sufficient precision for clinical evaluation.
- Keep away from equipment, children and pets, especially during use and do not insert objects into the holes in the equipment.
- Do not stand on the elliptical when starting the treadmill, avoiding forcing the motor. Always stand on the sides. Get on only when the treadmill is moving very slowly.
- Use suitable sportswear. Do not wear loose clothing that can get caught in the equipment. To exercise, always wear shoes, do not walk barefoot or with sandals.
- This device is not intended to be used by people whose physical or mental capacities are reduced or inexperienced, unless they are supervised by a responsible person.
- Children must be supervised to ensure that they do not play with the appliance.

Observations

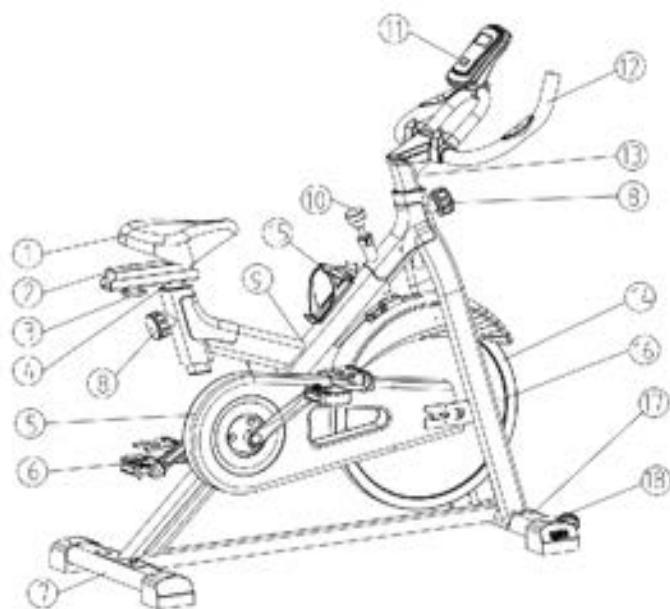
A. Manufacturer / Distributor is not responsible for accidents and their consequences arising from the violation of the original characteristics or assembly outside the factory settings of their products.

B. Reseller or Authorized Technical Assistance is authorized to change these Terms or make commitments on behalf of the Manufacturer / Distributor.

C. Customer is responsible for unfounded technical call costs.

NOTE: Figures and photos in this manual are for illustrative purposes only. The Manufacturer / Distributor reserves the right to make changes to the product without prior notice. This manual may illustrate options that are not part of the purchased equipment.

COMPONENTS AND TECHNICAL SPECIFICATIONS



1. Seat
2. Seat post
3. Seat adjustment knob
4. Vertical seat post
5. Chain cover
6. Pedal
7. Rear feet
8. Adjustment knob
9. Main frame
10. Tensor knob
11. Monitor
12. Handlebar
13. Handlebar post
14. Break
15. Bottle support
16. Flywheel
17. Front feet
18. Transport wheels

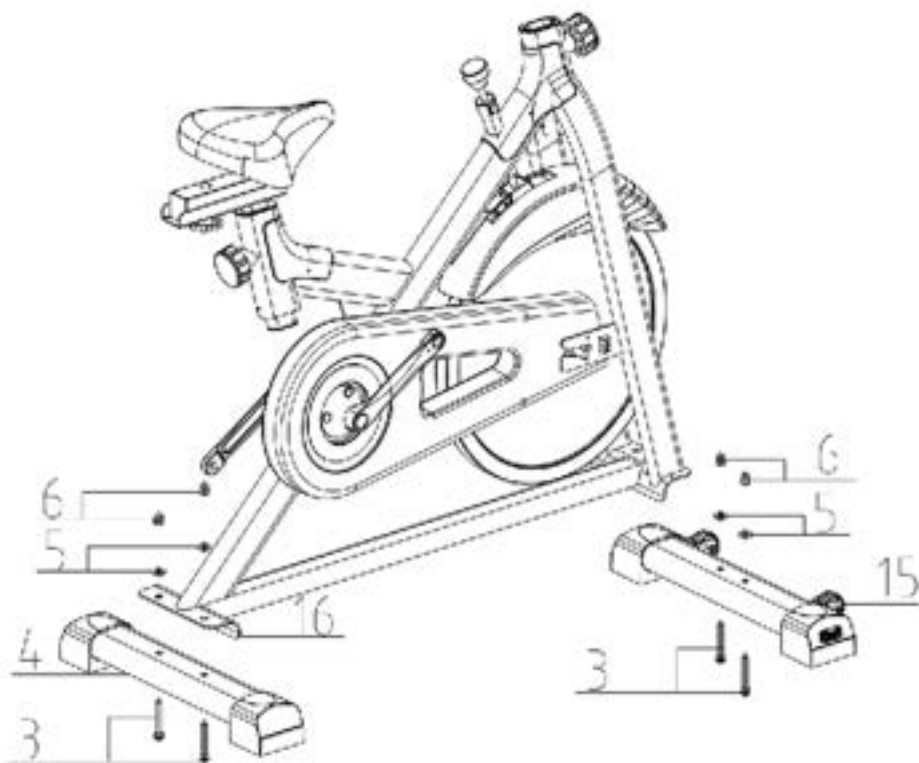
Product		Packaged	
Net weight (approximate)	25,80 kg	Gross weight	29,00 kg
Maximum width	480 mm	Width (carton box)	240 mm
Maximum length	1080 mm	Height (carton box)	820 mm
Maximum height	1040 mm	Lenght (carton box)	1030 mm

ASSEMBLY



NOTE: Place the packaging with the equipment on a level surface. It is recommended that you place a protective cover for your floor. Exercise caution when you are loading and transporting equipment. Unpack and assemble the equipment where it will be used. If necessary, ask the help of someone else.

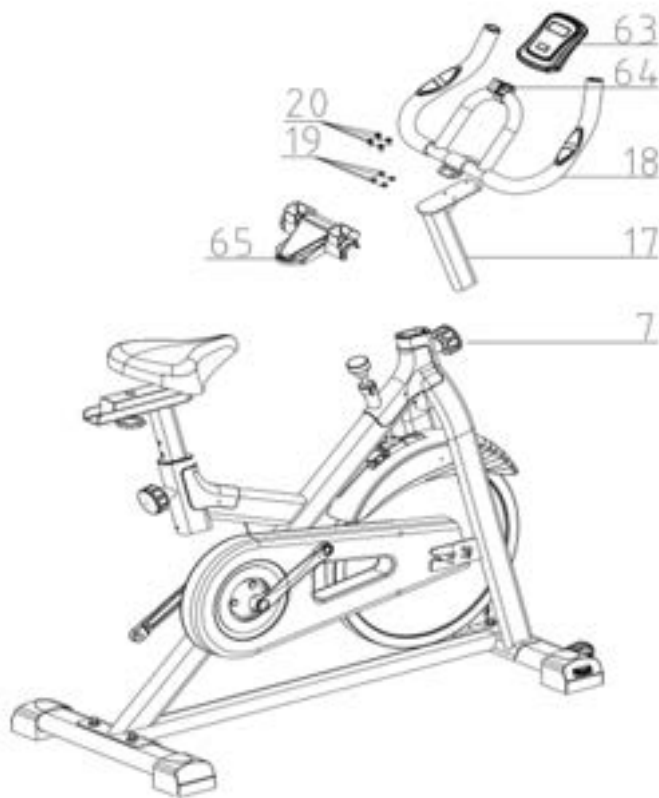
STEP 1



Attach the Front Stabilizer (15) to the Main Frame (16) using two sets of Ø8 Flat Washers (5), M8 Domed Nut (6) and M8X42 Carriage bolt (3). Attach the Rear Stabilizer (4) to the Main Frame (16) using two sets of Ø8 Flat Washers (5), M8 Domed Nut (6) and M8X42 Carriage bolt (3).

Then fix the bottle holder(24) to the main frame with 2 PCS screw 3 (43), put the Bottle (25) to the bottle holder(24)

STEP 2



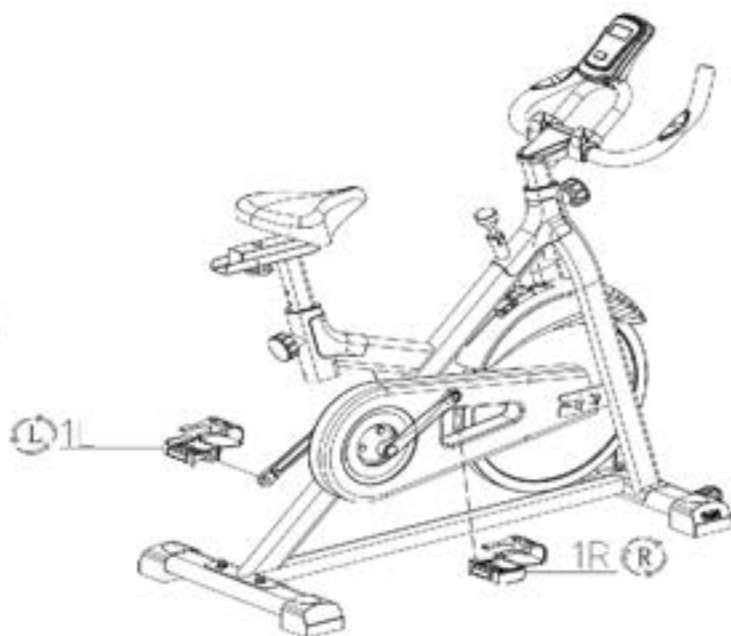
Slide the Handlebar Post (17) into the handlebar post housing on the main frame. You will have to slacken the knurled section of the Spring Adjustment Knob (7) and pull the knob back and then select and align holes for the desired height. Release the knob and retighten the knurled portion.

Remove the bolts and spring washer from the Handlebar Post (17), then fix the Handlebar (18) with 4 pcs Ø8 the Spring Washer (19) and M8x16 the Bolt (20).

ATTENTION: YOU SHOULD FIX THE HANDLEBAR TIGHTLY

Slide the Monitor (63) onto the Monitor support (64) connect the plugs (A1&A2)

STEP 3



The Pedals (1 L & 1 R) are marked "L" and "R" - Left and Right.

Connect them to their appropriate crank arms. The right crank arm is on the righthand side of the cycle as you sit on it.

Note that the Right pedal should be threaded on clockwise and the Left pedal anticlockwise.

MONITOR

SPECIFICATIONS:

TIME	00:00~99:59MIN
SPEED	0.0~99.9KM/H(ML/H)
DISTANCE	0.00~999.9KM(ML)
ODOMETER	0.0~9999KM or ML
PULSE	40~240BPM
CALORIE	0.0~9999KCALs

KEY FUNCTIONS

MODE: This key lets you to select and lock on to a particular function you want.

OPERATION PROCEDURES

1. AUTO ON/OFF

This system turns on when any key is pressed or when it receives a signal input from the speed sensor.

The system turns off automatically when the sensor has no signal input of no key are pressed for approximately 4 minutes.

2. RESET

The unit can be reset by either changing battery or pressing the mode key for 3 seconds.

3. MODE

To choose SCAN or LOCK if you do not want the scan mode, press the MODE key when the pointer on the function you want which begins blinking.

4. FUNCTIONS

TIME: Press the MODE key until pointer lock on to TIME. The total working time will be shown when starting exercise.

SPEED: Press the MODE key until pointer lock on to SPEED. Displays current speed during workout time.

DISTANCE: Press the MODE key until pointer lock on to DISTANCE. The distance of each workout will be displayed when starting exercise.

ODOMETER: Press the MODE key until the pointer advances to ODO METER. The total accumulated distance will be shown.

CALORIE: Press the MODE key until pointer lock on to CALORIE. The calorie burned will be displayed when starting exercise.

(PULSE) : Press the MODE key until the pointer advance to PULSE function and put ear-clip to ear or the hand take hold of the sensor about 3 seconds show out.

SCAN: Display changes according to the next diagram every 4 seconds. Automatically display of the following functions in the order shown: TIME-SPEED-DISTANCE CALORIE-PULSE

NOTE:

1. Without any signal coming in 4-5 minutes, the LCD display will be shut off automatically.
2. When there is signal input, the monitor automatically turns on.
3. If there is a possibility to see an improper display on the monitor, please replace the batteries to have a good result. You must be to replace the batteries at the same time.
4. The monitor use 1.5V "AA" or "AAA" batteries.



ADJUSTMENT



1. Adjust the seat and handlebar: Loosen the knob turning left, then pull the knob and adjust to the desired position. After adjustment, release the knob and tighten by turning clockwise. Tighten.

2. Resistance adjustment: To increase the resistance, turn the knob to the right to decrease the resistance, turn the knob on the left.



3. Emergency brake: press knob firmly to stop the bike.



4. Make sure that the bike's body is stable when you shake it. If not, you can adjust the base adjustments of the front and back tube.

5. Test to run the bike, check if there is any abnormal sound of the bike's body. In the beginning is normal the noise of the lubricating grease, this is applied to increase your performance. Check the resistance regulation and brake system is normal or not.

6. After check all issues listed, the spinning bike is ready for use.



PREVENTIVE MAINTENANCE

Before you use your equipment make sure it is in good condition. Check the general condition of the equipment, as described in "Safety Information". If the equipment is not in perfect condition, contact an Authorized Technical Assistant.

CLEANING:

- Never use abrasive or solvents for cleaning.
- Do not leave the equipment exposed to natural agents such as sunlight, rain, dew, dust, salt spray etc.
- Do not put the treadmill in dusty environments, wet, saunas or anywhere unventilated.
- Always use original spare parts. Improper maintenance can cause damage to the product and loss of warranty.
- If you prefer, this cleaning can be done by a Technical Assistant (see values).

WARNING: This equipment is designed for residential use. We assume no responsibility when it is used by gyms, clubs, clinics or condos.

WARRANTY

Terms of Guarantee

A. The warranty procedures will be carried out only upon presentation of the note / original coupon tax of Sale and limitations laid down by these Terms. The guarantee shall be provided by the Authorized Technical Assistance Network.

B. The conditions set out in this Agreement are guaranteed to the first user purchaser of this product for a period of 6 (six) months (including the legal guarantee period - first 90 (ninety) days, counted from the date of issuance of the note / tax Coupon sale, in the event of exclusively residential use.

C. Warranty and coverage terms start to count from the date of issue of the sales invoice / coupon, including the legal term of 90 (ninety) days.

PARTS AND COMPONENTS

TIME

Structure	6 months
Painting (oxidation)	6 months
Motor	6 months
Auxiliary plate	6 months
Monitor	6 months
Tilt motor	6 months
Belt	90 days
Platform	6 months
Motor Cover	6 months
Plastic parts and rubber	6 months
Power Cable	6 months
Manpower	6 months

D. Parts repaired or replaced under this warranty does not stop nor extend the warranty period originally stipulated.

E. To be used by this warranty, the equipment must have been installed by authorized technical assistant, except for residential products.

F. Warranty does not cover the installation and preventive maintenance services such as cleaning, lubrication and adjustment of the product.

G. No dealer is authorized to receive client product to refer you local dealer or this take it to return to it and to provide information on behalf of the Manufacturer / Supplier of the progress of the service. The manufacturer / supplier or consumer support are not responsible for any damage or delay due to this non-compliance.

H. The Manufacturer / Supplier keep available spare parts until they cease the manufacture or import the equipment. If it ceased the production or import of equipment Manufacturer / Supplier keep the spare supply its line of equipment for a reasonable period of time, according to the law.

I. Within the period of thirty (30) days if the equipment presents

some malfunction, the customer may choose to take the product to an authorized posts or requesting service in your home without travel expenses in those counties covered by the Network Authorized Service. After the period of thirty (30) days or in municipalities not covered by the Technical Assistance Network Authorized expenses resulting from any transport of the equipment to a freight service, removal or technical visit by technical assistant, occur by the customer, whether or not this equipment covered by this warranty.

J. Lubricants, silicones for treadmills, vaseline to the guide weights and micro oil to the joints of weight stations, should be exclusively recommended by the manufacturer, available at Authorized Technical Assistance Network.

K. Components that wear out with regular use of equipment such as motor brushes, belts, pads, brake bands, felt, steel chains and cables, when this equipment will have warranty for a period of 90 days from the invoice or manufacturing defect found by the Authorized Technical Assistance Network.

Extinction Assurance

This warranty will be considered void when:

A. Expiry of the warranty term.

B. Equipment repaired by a person not authorized by the Manufacturer / Supplier, if signs of violation of its original characteristics or non-factory assembly are found.

C. Damage suffered by the equipment due to improper use, use of inappropriate cleaning products, oxidation from external agents, wear, neglect, modification, use of accessories not recommended, inadequate design for the intended application, falls, perforations, use and opposite installation to the operating instructions, inadequate wiring in the electrical network, lack of grounding in badly sized grids and / or excessive fluctuations and overloads.

D. For residential line is prohibited any type of user equipment maintenance or a third party other than the technical assistance network.

E. The product is used in gyms, condominiums, clinics, clubs, sauna, submerged in water or use so that it resembles other than for residential purpose or the application of the purpose intended.

Comments:

A. cables, carabiners, pedals when existing in the product should be replaced once a year.

B. The Manufacturer / Supplier is not responsible for any accidents and their consequences, arising from breach of the original features or assembly out of their equipment factory default.

C. Customer's responsibility are those resulting from unfounded judged answering calls.

Note: Manufacturer / Supplier reserves the right to make changes without notice this.



INFORMACIÓN DE SEGURIDAD

Lea este manual antes de usar el producto y consérvelo para consultarlo en el futuro para evitar el riesgo de calentamiento, incendio, descarga eléctrica o lesiones. Es responsabilidad del propietario asegurarse de que todos los usuarios del equipo estén adecuadamente informados sobre las precauciones de seguridad. Si el equipo no está en perfectas condiciones, llamar a un asistente técnico.

Consideraciones Generales

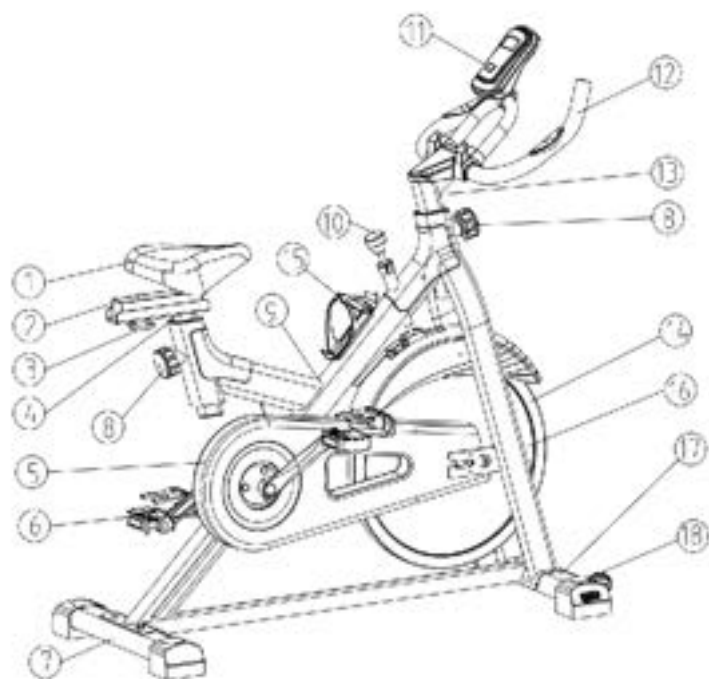
- Coloque la caminadora en una superficie plana al menos 30cm de distancia de cualquier pared, manteniendo la parte inferior, libre de cualquier obstáculo.
- Nunca permita que más de una persona use la caminadora al mismo tiempo.
- Consulte a su médico antes de iniciar y durante cualquier programa de ejercicios. Debe ser dada especial atención a los niños, mujeres embarazadas, ancianos, personas con problemas de corazón y las personas con discapacidad.
- Los valores indicados en el monitor son puntos de referencia, no puede ser considerado con suficiente precisión para la evaluación clínica.
- Mantener alejado de los equipos, los niños y los animales domésticos, sobre todo durante el uso y no introduzca objetos en los orificios del equipo.
- No se pare sobre la cinta cuando encienda la caminadora, evitando forzar el motor. Párese siempre en las laterales. Súbase recién cuando la cinta esté en movimiento muy lento.
- Utilizar ropa deportiva adecuada. No use ropa suelta que pueda quedar atrapado en el equipo. Para ejercitarse, siempre use zapato, no camine descalzo o con sandalias.
- Este aparato no está destinado para ser usado por personas cuyas capacidades físicas o mentales estén reducidas o sin experiencia, salvo se tienen supervisión por persona responsable.
- Los niños deben ser supervisados para asegurar que no juegan con el aparato.

Observaciones

- A. El Fabricante/Distribuidor no es responsable de los accidentes y sus consecuencias derivadas de la violación de las características originales o montaje fuera de los ajustes de fábricas de sus productos.
- B. Ningún Revendedor o Asistencia Técnica Autorizada está autorizado a cambiar estos Términos o asumir compromisos en nombre del Fabricante/Distribuidor.
- C. El cliente es responsable pelos costos de llamada técnicas infundadas.

NOTA: figuras y fotos en este manual son meramente ilustrativas. El Fabricante/Distribuidor se reserva el derecho de realizar cambios en el producto sin previo aviso. Este manual puede ilustrar opcionales que no forman parte del equipo adquirido.

COMPONENTES Y ESPECIFICACIONES TÉCNICAS



1. Asiento
2. Soporte del asiento
3. Perilla de ajuste del asiento
4. Soporte vertical del asiento
5. Cubierta de cadena
6. Pedal
7. Pies traseros
8. Perilla de ajuste
9. Estructura principal
10. Botón del tensor
11. Monitor
12. Manillar
13. Soporte del manillar
14. Freno
15. Soporte de botella
16. Volante
17. Pies delanteros
18. Ruedas de transporte

Producto		Empaquetado	
Peso neto (aproximado)	25,80 kg	Peso bruto	29,00 kg
Ancho máximo	480 mm	Ancho (caja de cartón)	240 mm
Largo máxima	1080 mm	Altura (caja de cartón)	820 mm
Altura máxima	1040 mm	Largo (caja de cartón)	1030 mm

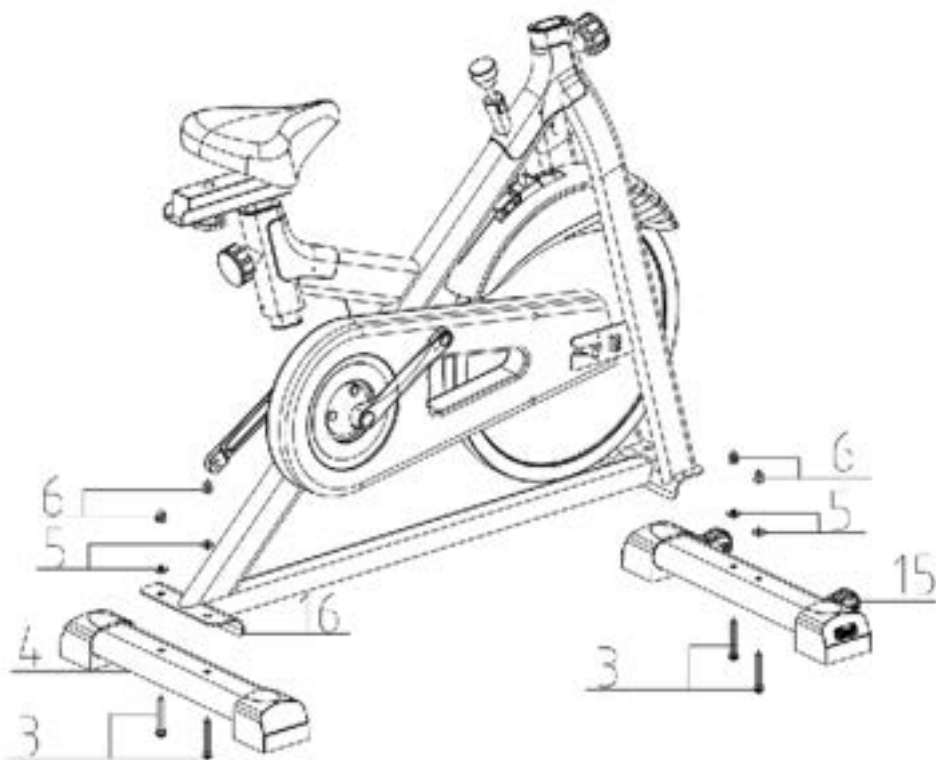
MONTAJE



NOTA: Coloque el embalaje con el equipo en una superficie plana. Se recomienda que coloque una cubierta protectora para su piso. Tenga precaución al que va a cargar y transportar el equipo. Desembale y montar el equipo donde se utilizará.

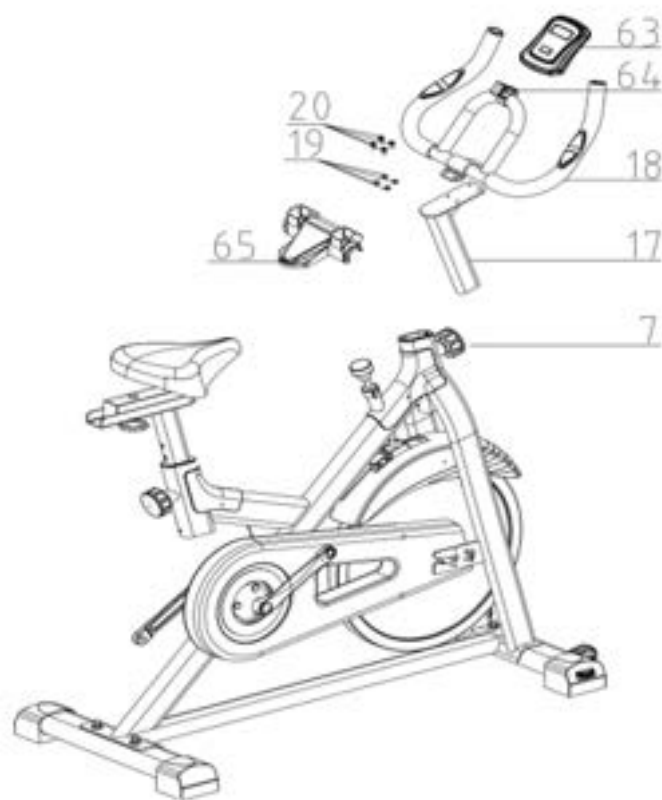
Si es necesario, pida la ayuda de otra persona.

PASO 1



Conecte el Estabilizador Delantero (15) en la Estructura principal (16) usando dos juegos de Arandelas Planas Ø8 (5), Tuerca ciega M8 (6) y Perno M8X42 (3). Conecte el Estabilizador Trasero (4) en la Estructura principal (16) usando dos juegos de Arandelas Planas Ø8 (5), Tuerca ciega M8 (6) y Perno M8X42 (3).

A continuación, fije el Soporte de la botella (24) en la Estructura principal con 2 Tornillos (43), coloque la Botella (25) en el Soporte de la botella (24)



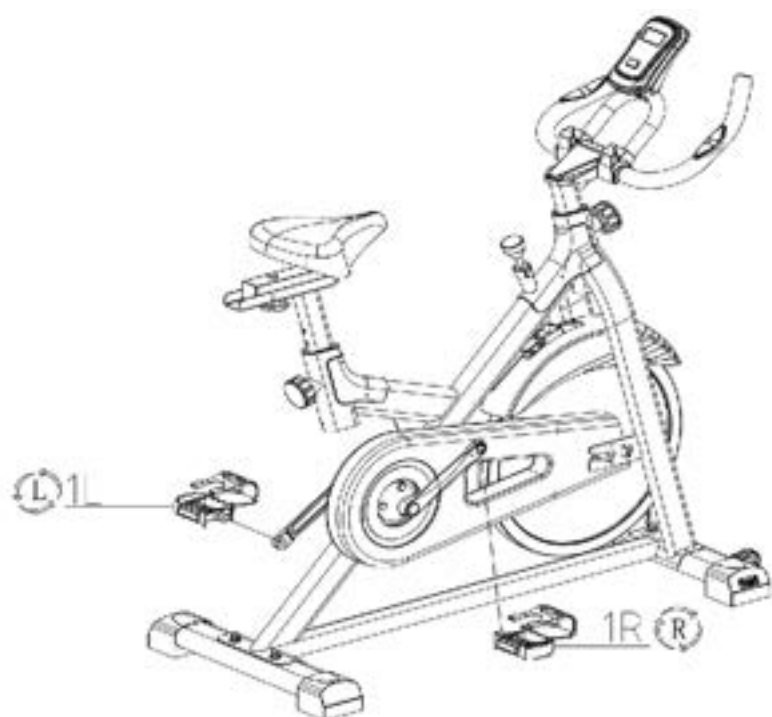
Deslice el Soporte del manillar (17) dentro de la Estructura principal. Tendrás que aflojar la sección estriada de la Perilla de ajuste (7) y tire la perilla hacia atrás y luego seleccione y alinee los orificios para ajustar la altura. Suelte la perilla y vuelva a apretar la parte moleteada.

Retire los pernos y la arandela de presión del Soporte del manillar (17), luego fije el Manillar (18) con 4 Arandelas de presión Ø8 (19) y 4 Pernos M8x16 (20).

ATENCIÓN: DEBE FIJAR EL MANILLAR FIRMEMENTE

Deslice el Monitor (63) en el Soporte del monitor (64) conecte los enchufes (A1 y A2)

PASO 3



Los pedales (1 L y 1 R) están marcados con "L" y "R" - Izquierda y Derecha.

Conéctelos a sus brazos de manivela apropiados. El brazo derecho de la manivela está en el lado derecho de la bicicleta mientras se sienta en él.

Tenga en cuenta que el pedal derecho debe enroscarse en el sentido de las agujas del reloj y el pedal izquierdo en el sentido contrario a las agujas del reloj.

MONITOR

ESPECIFICACIONES:

TIEMPO	00:00~99:59MIN
VELOCIDAD	0.0~99.9KM/H(ML/H)
DISTANCIA	0.00~999.9KM(ML)
ODOMETRO	0.0~9999KM or ML
PULSO	40~240BPM
CALORÍAS	0.0~9999KCALs

FUNCIONES DE TECLAS

MODE: Esta tecla le permite seleccionar y bloquear una función particular que desee.

PROCEDIMIENTOS DE OPERACION

1. AUTO ON/OFF

Este sistema se enciende cuando se presiona cualquier tecla o cuando recibe una señal de entrada del sensor de velocidad.

El sistema se apaga automáticamente cuando el sensor no tiene entrada de señal o no se presiona ninguna tecla durante aproximadamente 4 minutos.

2. RESET

La unidad se puede reiniciar cambiando la batería o presionando la tecla de modo durante 3 segundos.

3. MODE

Para elegir SCAN o LOCK si no desea el modo de escaneo, presione la tecla MODE cuando el puntero de la función que desea comience a parpadear.

4. FUNCIONES

TIEMPO: Presione la tecla MODE hasta que el puntero se bloquee en TIME. El tiempo total de trabajo se mostrará al iniciar el ejercicio.

VELOCIDAD: Presione la tecla MODO hasta que el puntero se bloquee en SPEED. Muestra la velocidad actual durante el tiempo de entrenamiento.

DISTANCE: Presione la tecla MODE hasta que el puntero se bloquee en DISTANCE. La distancia de cada entrenamiento será se muestra al iniciar el ejercicio.

ODÓMETRO: Presione la tecla MODE hasta que el puntero avance a ODO METER. La distancia total acumulada se mostrará.

CALORÍAS: Presione la tecla MODO hasta que el puntero se bloquee en CALORIES. Las calorías quemadas se mostrarán cuando inicio del ejercicio.

PULSO: presione la tecla MODE hasta que el puntero avance a la función PULSE y coloque el clip en la oreja o en la mano agarre el sensor unos 3 segundos se muestran.

SCAN: la pantalla cambia de acuerdo con el siguiente diagrama cada 4 segundos. Visualización automática del siguientes funciones en el orden mostrado: TIEMPO-VELOCIDAD-DISTANCIA CALORÍAS-PULSO

NOTAS:

1. Si no llega ninguna señal en 4-5 minutos, la pantalla LCD se apagará automáticamente.

2. Cuando hay entrada de señal, el monitor se enciende automáticamente.

3. Si existe la posibilidad de ver una pantalla incorrecta en el monitor, reemplace las baterías para obtener un buen resultado. Debe reemplazar las baterías al mismo tiempo.

4. El monitor utiliza pilas "AA" o "AAA" de 1,5 V.



AJUSTES



2. Ajuste de la resistencia: Para aumentar la resistencia gire el manípulo a la derecha, para disminuir la resistencia gire el manípulo a la izquierda.

1. Ajuste el asiento y manillar: Aflojar el manípulo girando a la izquierda, entonces tire del manípulo y ajuste hasta la posición deseada. Después del ajuste, suelte el manípulo y apriete girándolo hacia la derecha. Apriete.



3. Freno de emergencia: para frenar su equipo apriete firmemente el manípulo.



4. Certifíquese de que el cuerpo de la bicicleta está estable al sacudir. Caso contrario haga ajustes a los tubos-pie frontal y trasero.

5. Pruebe la bicicleta, observando si hay algún ruido anormal en la operación. Al principio hay un ruido normal del lubricante que ha sido aplicado para mejorar su desempeño. Verifique el ajuste de resistencia y sistema de freno para ver si está normal.

6. Después de verificar los ítems arriba la bicicleta está apta al uso.



MANTENIMIENTO PREVENTIVO

Antes de usar su equipo asegúrese de que está en buenas condiciones. Verificar el estado general del equipo, como se describe en "Información de seguridad". Si el equipo no está en perfectas condiciones, en contacto con un asistente técnico autorizado.

LIMPIEZA:

- Nunca utilizar disolventes o abrasivos para la limpieza.
- No dejar el aparato expuesto a los agentes naturales como el sol, la lluvia, el rocío, el polvo, niebla salina, etc.
- No coloque la caminadora en ambientes con polvo, húmedos, saunas o en cualquier lugar sin ventilación.
- Utilice siempre repuestos originales. Un mantenimiento inadecuado puede dañar el producto y perder la garantía.
- Si lo prefiere, esta limpieza puede realizarla un Asistente Técnico (consulte valores).

ADVERTENCIA: Este equipo está diseñado para uso residencial. No asumimos ninguna responsabilidad cuando es utilizado por gimnasios, clubes, clínicas o condominios.

GARANTÍA

Condiciones Generales de la Garantía

- A. La atención en garantía será realizada solamente mediante la presentación de la factura/cupón fiscal original de venta y en los límites establecidos por este término. La garantía será prestada por la Red de Asistencia Técnica Autorizada, que cubre las principales ciudades del país.
- B. Las condiciones establecidas en el presente Acuerdo se garantizan al primer comprador usuario de este producto por un período de seis (6) meses (incluyendo el período de garantía legal - primeros 90 (noventa) días contados a partir de la fecha de emisión del pagaré / cupón fiscal venta, en el caso de uso exclusivamente residencial.
- C. Los períodos de garantía y la cobertura a partir de la fecha de emisión de la venta de cupones de la nota / cupón fiscal venta, incluyendo el plazo estatutario de los noventa (90) días:

PIEZAS Y COMPONENTES	TIEMPO
Estructura	6 meses
Pintura (oxidación)	6 meses
Motor	6 meses
Auxiliary plate	6 meses
Monitor	6 meses
Motor de inclinación	6 meses
Belt	90 días
Plataforma	6 meses
Carenado	6 meses
Piezas de plástico y caucho	6 meses
Cable de alimentación	6 meses
Mano de obra	6 meses

- D. Las piezas reparadas o cambiadas bajo esta garantía no se detienen ni se extienden el período de garantía estipulado inicialmente.
- E. Para utilizar esta garantía, el equipo debe haber sido instalado por el asistente técnico autorizado, a excepción de los productos residenciales.
- F. La garantía no cubre los servicios de instalación y mantenimiento preventivo, como la limpieza, lubricación y ajuste del producto.
- G. Ningún revendedor está autorizado a recibir producto de cliente para encaminarlo a la Asistencia Técnica Autorizada o de esta retirarlo para devolución al mismo proporcionar informaciones en nombre de Fabricante / Distribuidor sobre el progreso del servicio. El Fabricante / Distribuidor no se responsabilizará por cualquier daño o retraso debido a este incumplimiento.
- H. El Fabricante / Distribuidor mantendrá disponibles los repuestos hasta que dejen de fabricar o importar el equipo. Si cesado la producción o importación de los equipos para mantener el suministro de repuesto el Fabricante / Distribuidor su línea de equipos para un período de tiempo razonable, de acuerdo con la ley.
- I. Dentro del plazo de 30 (treinta) días si el equipo presenta algún mal funcionamiento, el cliente puede optar por llevar el producto a un

- puestos autorizados o servicios que solicite en su casa sin gastos de viaje en los municipios incluidos en la Red de Asistencia Técnica Autorizada. Transcurrido el plazo de treinta (30) días o municipios no incluidos en la Red de Asistencia Técnica Autorizada los gastos resultantes de cualquier transporte o el equipo a un servicio de carga, desplazamiento o visita técnica por ayudante cualificado, se deben a la cliente, si este equipo cubierto por esta garantía.
- J. Lubricantes, siliconas para caminadoras, vaselina para los pesos de guía y micro aceite a las articulaciones de las estaciones de peso, se recomienda exclusivamente por el fabricante, disponible en la Red de Asistencia Técnica.
- K. Los componentes que se desgastan con el uso regular de los equipos, tales como escobillas del motor, correas, pastillas, bandas de freno, fieltro, cadenas y cables de acero, cuando está presente en el equipo, garantizan por un período de 90 días a partir de la factura o defecto de fabricación, apreciada por la Red de Asistencia Técnica Autorizada.

Extinción de la Garantía:

Esta Garantía será considerada sin efecto cuando:

- A. Haya transcurrido normalmente el plazo de su validez.
- B. El equipamiento fuere entregado para reparación de las personas no autorizadas por el Fabricante / Distribuidor, fueren verificados signos de violación de sus características originales o montaje fuera del nivel de fábrica.
- C. Hayan ocurrido daños que este venga a sufrir como consecuencia de mal uso, uso de productos de limpieza inadecuados, la oxidación de origen de los agentes externos, a la intemperie, negligencia, modificación, uso de accesorios no recomendados, mal diseño de la aplicación para la que es, caídas, perforaciones, utilizar e instalación que no esté conforme con el manual de instrucciones, cableado tensiones no aptos, sin conexión a tierra en redes de tamaño malos y / o fluctuaciones y sobrecargas excesivas.
- D. Para la línea residencial está prohibido cualquier tipo de mantenimiento de equipo de usuario o un tercero distinto de la red de asistencia técnica.
- E. El producto fuere utilizado en academias, condominios, clínicas, clubes, saunas, sumergido en agua o cualquier modo de uso que se asemeje a este, así como cualquier uso que no sea la finalidad de aplicación a que se destina.

Observaciones:

- A. Cables, mosquetones, pedales cuando ya existente en el producto deben ser reemplazados una vez al año.
- B. Fabricante / Distribuidor no se responsabiliza por eventuales accidentes y sus consecuencias, derivadas de la violación de las características originales o montaje fuera del estándar de fábrica de sus equipamientos.
- C. Son responsabilidad del cliente son los costos de atención de llamadas infundado juzgado.

Nota: Fabricante / Distribuidor se reserva el derecho de promover alteraciones de éste sin previo aviso.

Athletic ***VISION***

www.athleticvisionfitness.com

Health tips, new products and more!
Consejos de salud, nuevos productos y más!

Technical Assistance Network and Customer Service: see website.
Red de Asistencia Técnica y Servicio al Cliente: Consulte el sitio web.